



Where Versatility Meets Flexibility

## P19BH series

### Configuration

### P19BH series

LCD Display	19" TFT active matrix panel
Pixel Pitch	0.294(H) x 0.294 (V) mm
Max. Resolution	SXGA 1280 x 1024
Contrast Ratio	800:1 (typical)
Brightness	250 Cd/m <sup>2</sup> (typical)
Response Time ( Tr+ Tf )	8 ms (GTG)
Display Color	16.7M
Effective Display Area	376.32(H) x 301.05(V)
Viewing Angle (CR ≥ 10)	170° (H) x 170° (V)
Backlight	CCFL x 4
Lamp Life (hr)	50,000 (typical)
Stand Base	Tilt down: -5°, Tilt Up: +90°
Input Signals	Analogue VGA
Signal connector	Analog D-Sub 15 pin (VGA) Digital DVI-D
Scan Frequency	60/70/72/75 Hz
Audio Systems	1W/per channel drive
USB HUB	A type x 2, B type x 1 (optional)
Touch Panel	RS232 or USB A type (optional)
Key Control	Power on/off with LED, Menu, Select, Adjustment (+, -)
Operating Condition	Temperature 5°C-35°C (41°F-95°F) Humidity 20%-80% (no condensation) Altitude To 10,000 feet
Storage Condition	Temperature -20°C-60°C (-4°F-140°F) Humidity 10%-90% (no condensation)
Internal Power	100 ~ 240V, 50-60Hz 1.5A, AC Input
Power Consumption	48W
Dimensions (WxHxD)	438 x 417.5 x 180 mm
Carton Dimensions (WxHxD)	528 x 490 x 228 mm
Weight (Net)	7 Kg
Certification	C-UL, FCC, CE

\* Specifications are subject to change without notice.

### Features

- \* Fashionable housing design with slim bezel
- \* High contrast color TFT LCD open frame display support resolution up to XGA 1280x1024. Compatible with IBM VGA, VESA standards
- \* Support DDC1/2B for Plug & Play compatibility
- \* Advanced OSD control for picture quality adjustment
- \* Stable aluminum stand base supports angle adjustment - 5° ~ +90°
- \* VESA mounting

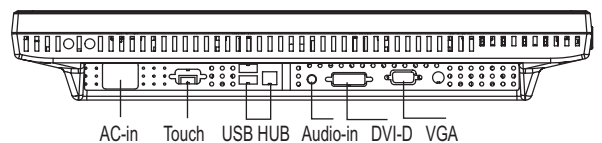
### Optional Accessories

- \* 3M / ELO / HIGGSTEC touch sensor
- \* Customized touch solutions acceptable
- \* Anti-Glare tempered glass
- \* USB HUB with 2 downstream ports and 1 upstream port

### Order Information

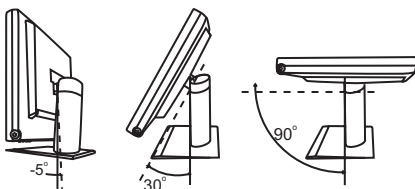
- \* P19BH-AA VGA only
- \* P19BH-AB VGA+DVI

### I/O Ports

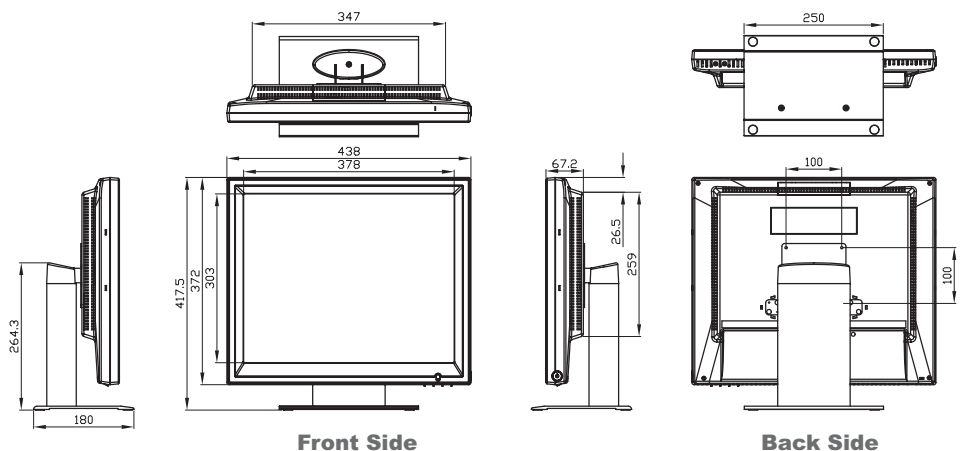


### Mechanical drawing

Unit : mm



Support Angle Asjtmnt -5°~+90°



Front Side

Back Side